

# Classic Collection

Woodbridge Gas Fireplaces



## 33" Direct Vent Gas Fireplaces

**HDV 2000 Model** shown  
with options: Rustic Brick Liner  
and Classic Style Louvers

BDV 2000, HDV 2000



# Classic Collection

## Woodbridge Gas Fireplaces



# 33" Direct Vent Fireplace

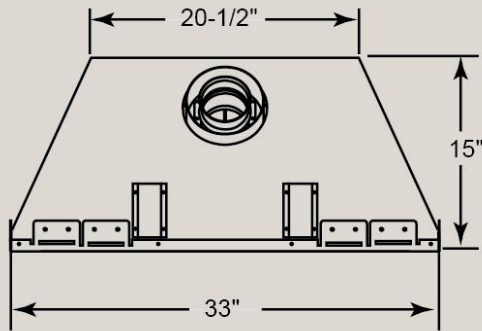
GLASS FRAME OPTIONS ARE TO BE CHOSEN WHEN ORDERING



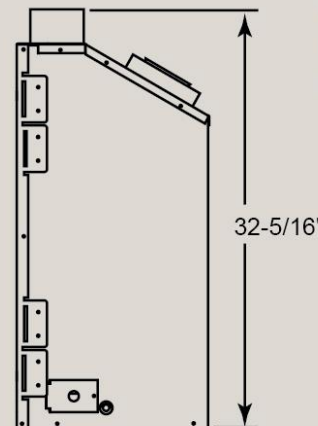
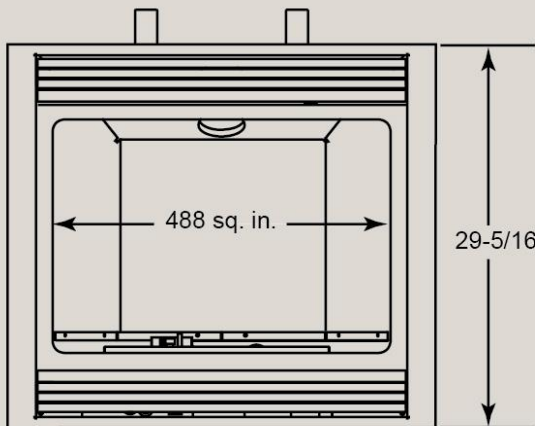
Rectangular Glass Frame  
( shown with optional grey brick  
liner and standard flush louvers )



Arched Glass Frame  
( shown with optional red brick  
liner and classic style louvers )



Fireplace dimensions  
without safety screen:



### Standard features:

- \* Realistic glowing 5 pc. log set with ember bed.
- \* Flush louvers (optional Classic Louvers available).
- \* Stainless steel flex connector and gas shut-off valve.
- \* Variable gas valve for flame height control.
- \* Operates without electricity to provide heat during a power failure.
- \* Battery operated pilot igniter.
- \* On/Off Wall Switch.
- \* Safety screen.
- \* Rectangular glass frame.
- \* Burner and heavy gauge welded firebox are covered by Lifetime Warranty.

### Available options:

- \* On/Off remote control with timer.
- \* Remote control operated electronic ignition system with thermostat and flame modulation *(Requires electricity and/or batteries to operate).*
- \* 130 c.f.m. thermostat activated blower.
- \* LCD wall thermostat.
- \* Classic style louvers.
- \* Red, Grey, or Brown brick panels.
- \* Arched glass frame.

### Specifications:

#### HDV 2000-(N,P) Model:

Gas Input Rate ..... 17-24,000 Btu/h  
Efficiency ..... up to 80%  
EnerGuide FE Rating ..... 61.9%  
**Ceramic Glass Front**

#### BDV 2000-(N,P) Model:

Gas Input Rate ..... 12-17,000 Btu/h  
Efficiency ..... up to 72%  
EnerGuide FE Rating ..... 56.1%  
**Tempered Glass Front**



Listed By **O-T-L** Portland Oregon USA  
C US  
OMNI-Test Laboratories, Inc.  
Report # 401-S-05-4  
Canada  
**ENERGUIDE**  
Look for the EnerGuide Gas Fireplace Energy Efficiency Rating in this brochure  
Based on CSA P4-1-02

**SHOWROOM OPEN TO THE PUBLIC:**  
Mon. - Fri.: 9:00 a.m. - 6:00 p.m.  
Saturdays: 11:00 a.m. - 4:00 p.m.  
18A Strathearn Ave., Unit #25  
Brampton, ON, L6T 4X7  
Phone: (905) 799-5953  
[www.woodbridgefp.com](http://www.woodbridgefp.com)

Steeles Ave. West  
Dixie Rd.  
OUR SHOWROOM at Dixie Steeles Business Plaza  
3rd driveway north of Advance Blvd.