

# Gas Insert Collection

Woodbridge Gas Fireplaces



DVI 751(-E)

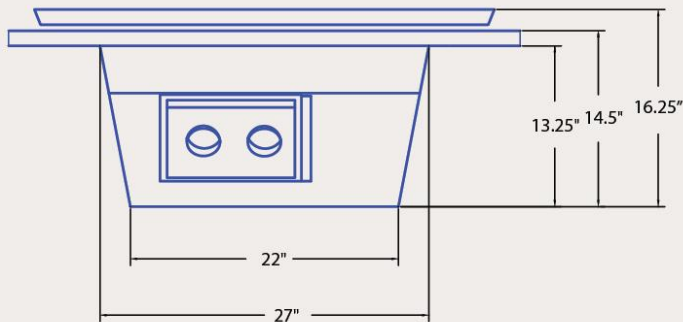
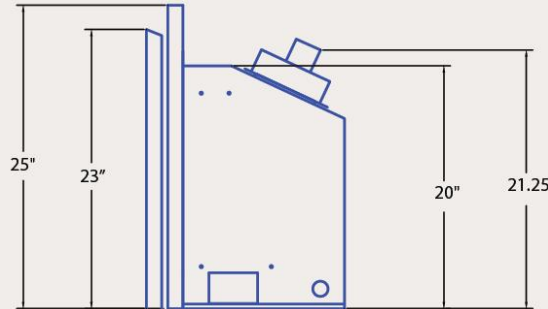
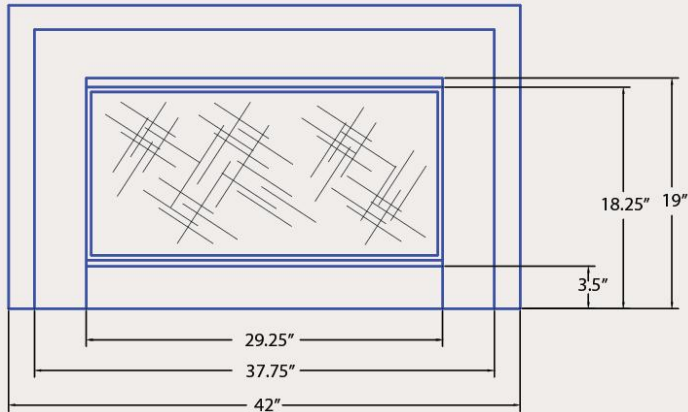


# Gas Insert Collection

## Woodbridge Gas Fireplaces



# DVI 751 Gas Insert



Minimum Fireplace Opening: 27" (W) x 22.5" (H) x 14" (D)

DVI 751 model shown without optional stones.

### SPECIFICATIONS

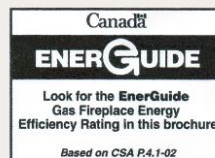
#### NATURAL GAS

Manifold Pressure:(W.C.) 3.5"  
Maximum Supply Pressure 10.5"  
Minimum Supply Pressure 4.5"

#### PROPANE GAS

Manifold Pressure:(W.C.) 10"  
Maximum Supply Pressure 13"  
Minimum Supply Pressure 11"

SPECIFICATIONS	DVI 751	
	NATURAL	PROPANE
Max. Btu/hr Input	28,500	25,500
Min. Btu/hr Input	18,000	20,000
EnerGuide FE rating	50%	51%
Efficiency	up to 72%	up to 72%



Tested & Listed By



OMNI-Test Laboratories, Inc.  
Report # 0401GN010S

Portland Oregon USA

### Standard features:

- \* Contemporary style fireplace insert in satin black finish.
- \* Safety and convenience of a direct vent gas heater.
- \* Durable ceramic glass viewing area.
- \* Enamelled panels.
- \* Burner and Heavy gauge welded firebox are covered by Lifetime Warranty.
- \* Battery powered pilot ignitor and ON/OFF remote control with timer for easy operation.
- \* Works without electricity providing heat during power failure.
- \* Black glass burner media.
- \* Stainless steel flex connector and gas shut-off valve.
- \* Variable gas valve control of flame height.
- \* 130 c.f.m. Thermostat activated blower.
- \* Certified Safety Screen.

### Optional features:

- \* Natural Gas or Propane/LP model.
- \* 13 pc. decorative stone set
- \* Touch screen remote control or wall thermostat.
- \* Electronic Ignition System with thermostat remote control and flame modulation.

**NOTE: DVI 751 standing pilot version operates without any electrical supply. Blower and Electronic Ignition System require electricity for operation.**

### SHOWROOM OPEN TO THE PUBLIC:

Mon. - Fri.: 9:00 a.m. - 6:00 p.m.  
Saturdays: 11:00 a.m. - 4:00 p.m.  
18A Strathearn Ave., Unit #25  
Brampton, ON, L6T 4X7  
Phone: (905) 799-5953

[www.woodbridgefp.com](http://www.woodbridgefp.com)

