

# Gas Insert Collection

Woodbridge Gas Fireplaces



## DVI 1000 Gas Insert

DVI 1000

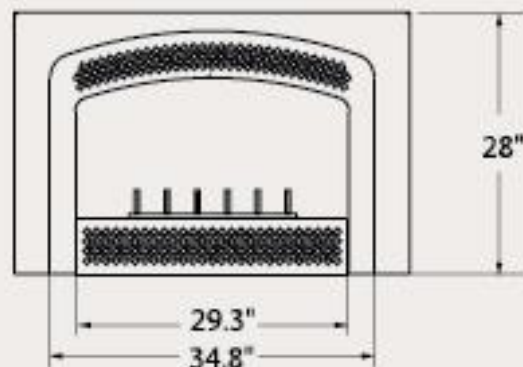
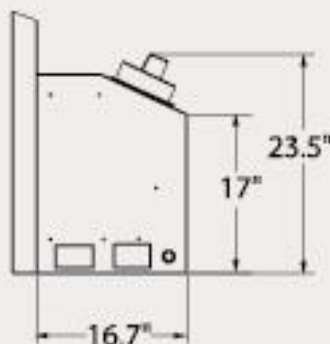
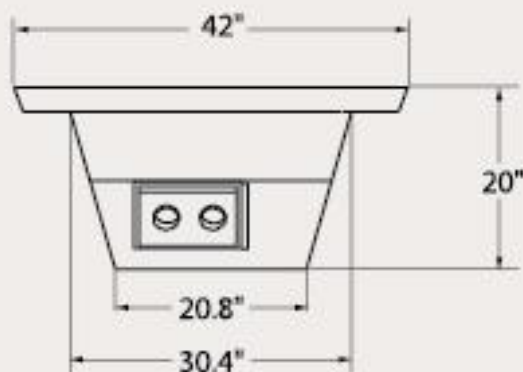


# Gas Insert Collection

## Woodbridge Gas Fireplaces



# DVI 1000 Gas Insert



Arched Filigree Face

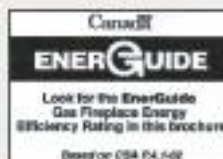
**Minimum Fireplace Opening:** 32" (W) x 23" (H) x 17" (D)

### NATURAL GAS

Manifold Pressure:(W.C.) 3.5"  
Maximum Supply Pressure 10.5"  
Minimum Supply Pressure 4.5"

### PROPANE GAS

Manifold Pressure:(W.C.) 10"  
Maximum Supply Pressure 13"  
Minimum Supply Pressure 11"



## Standard features:

- \* Classic style fireplace insert with convenience of a direct vent gas heater.
- \* Safety screen.
- \* Durable ceramic glass viewing area.
- \* Battery powered pilot ignitor and ON/OFF remote control with timer for easy operation.
- \* Works without electricity providing heat during power failure.
- \* 7 pc. glowing log set with ember bed.
- \* Stainless steel flex connector and gas shut-off valve.
- \* Variable gas valve for flame height control.
- \* 130 c.f.m. Thermostat activated blower.
- \* Ceramic fiber red brick liner.
- \* Burner and Heavy gauge welded firebox are covered by Lifetime Warranty.

## Optional features:

- \* Natural Gas or Propane/LP model.
- \* Touch screen remote control or LCD wall thermostat.
- \* Electronic Ignition System with thermostat remote control and flame modulation.

SPECIFICATIONS	DVI 1000	
	NATURAL	PROPANE
Max. Btu/hr Input	29,000	28,000
Min. Btu/hr Input	19,000	19,000
Efficiency	up to 75%	up to 75%
Energuide FE rating	57.26%	58.47%

### SHOWROOM OPEN TO THE PUBLIC:

Mon. - Fri.: 9:00 a.m. - 6:00 p.m.  
Saturdays: 11:00 a.m. - 4:00 p.m.  
18A Strathearn Ave., Unit #25  
Brampton, ON, L6T 4X7  
Phone: (905) 799-5953

[www.woodbridgefp.com](http://www.woodbridgefp.com)

