

SPARK Fire Ribbon Direct Vent Tri Vu



Three sides, three views.
Triple-view impact,
even more design flexibility



Open on three sides, the effect is completely modern. In an open space it acts as a natural room divider while maintaining an open and airy feel. Install this fire anywhere in need of a unique focal point and subtle, sleek definition.



SPARK
modern fires

SPARK Fire Ribbon Direct Vent Tri Vu

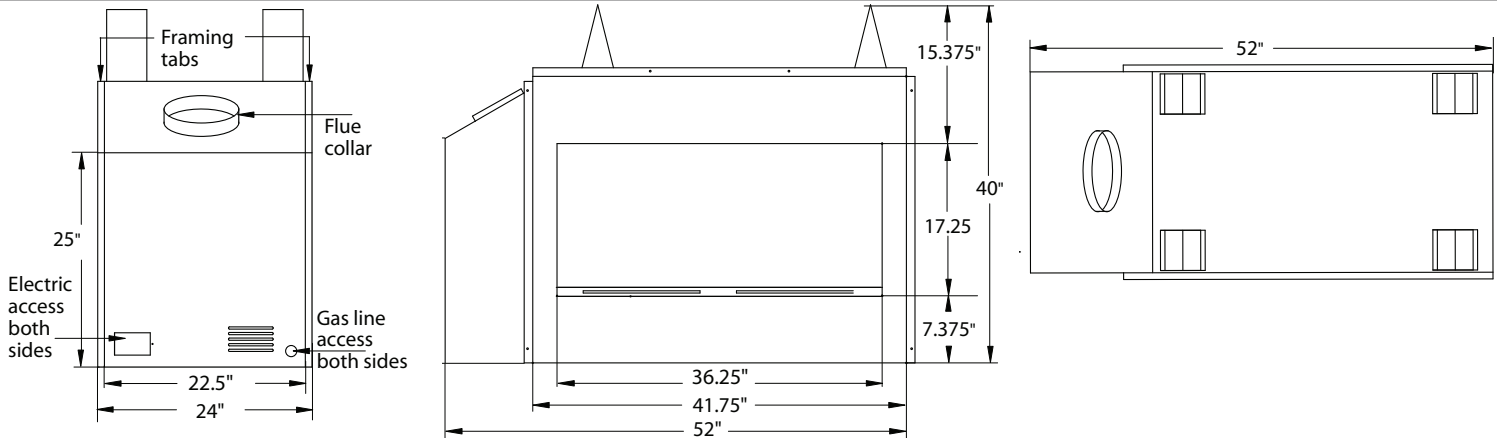


- The Fire Ribbon Vu Thru allows you the luxury of viewing your Fire Ribbon from two different rooms.
- Viewable dimensions: 36" wide x 17" high x 13" deep
 - Clean modern appearance
 - Safety of fixed ceramic glass
 - Versatility and ease of installation
 - No hearth is required
 - Available as 2-sided or 3-sided
 - No draft concerns
 - Available in Millivolt or Electronic Ignition versions

Right Side view

Front view

Top view



Model No.

DV 92

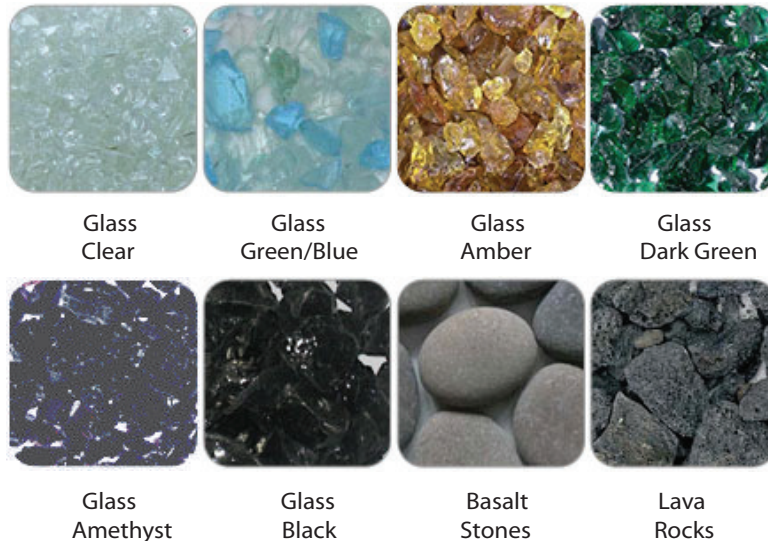
- Interior opening**
- Outer dimensions**
- Gas type**
- On/off**
- Efficiency**
- Venting Options**

36.25"W x 17.25" H x 13" D
 52"W x 40" H x 22.5"D
 Natural or LP/propane
 Remote control or wall switch
 Up to 80%
 Through sidewall or roof
 Must vent 2' vertical before any horizontal venting
 Simpson Duravent GS 6 5/8" diameter
 Thermostat activated 160 c.f.m.
 110 v. for fan
 27,000 - 38,000 BTU/h
 3 Fixed ceramic glass panels
 Satin Black

Why pick a Spark Fire Ribbon Tri Vu?

- Vent through the roof or side wall
- Up to 80% efficient
- Heating capacity enhanced with integrated fan
- Approved for bedrooms, bathrooms & all common rooms
- Accepted by all major building and mechanical codes in the U.S. including the IMC (International Building Code) and the UMC (Uniform Mechanical Code).
Please check with local codes before ordering
- Approved in all 50 states and Canada
- Certified by OMNI Testing Labs

Optional Media for Tray:



**WOODBIDGE
FIREPLACE INC.**
 18 A Strathearn Ave.
 Units 25-27
 Brampton, ON
 L6T 4X7

Tel: 905-799-5953
www.woodbridgefp.com