



  
**HAMPTON**<sup>®</sup>  
CAST IRON FIREPLACES





# why choose Hampton?

Over 30 years ago, I founded this company with a mission to produce the finest fireplace products available anywhere. The Hampton line is the result of millions of dollars in product development, years of research and listening to what consumers are looking for in a fireplace: timeless styling, exceptional quality and a way to cut home heating costs.

## **Hampton Quality**

The rich, porcelain, enamel finish of each Hampton cast iron product is a work of art. Select the tasteful glass grill, one of four fashionable colors, side shelves, double screen doors and create your own Hampton.

## **Cut Fuel Bills in Half**

Turn your furnace down and enjoy comforting Hampton heat in the living areas you spend time in. Have peace of mind, even during power outages. All Hampton products continue to operate without electricity.

## **Lifetime Warranty**

I am so confident in the quality workmanship, the finest materials and durable heavy-duty construction invested in each and every product, that I offer a Limited Lifetime Warranty. I know that you will be as proud of your Hampton as I am – I guarantee it.

Robert Little  
Founder & CEO





index

Hampton Wood Inserts HI300 & HI200	4
Hampton Wood Stoves H300 & H200	6
Hampton Pellet Insert & Stove GCI60, GC60	8
Hampton Gas Stoves H35, H27, H15	10
Technical specs	12





# Hampton® Wood Inserts

## HI200 & HI300



Hampton HI300 Wood Insert in enamel timberline brown finish.

### High Efficiency Heat

The Hampton cast wood inserts install easily into your existing fireplace adding the timeless beauty of cast iron while eliminating drafts from an open fireplace. These fireplace inserts can deliver up to 75,000 BTU of high efficiency heat, circulating comforting warmth to the living areas you spend time in. Decrease your heating bills and increase the value of your home with one of two inserts sized to fit your fireplace and your lifestyle.



Hampton HI200 Wood Insert in metallic black finish.



HI300 shown with oversize faceplate, in metallic black finish.



HI200 in enamel timberline brown finish.



Specifications	HI300	HI200
Maximum BTU	75,000	55,000
Optimum efficiency	77.0%	77.7%
Emissions (grams/h)	3.8	3.0
Firebox size	2.3 cu. ft.	1.4 cu. ft.
Maximum log size	18"	18"

Min. Fireplace Opening	HI300	HI200
Width (front)	25"	23"
Height	21-1/2"	19-5/8"
Depth	17-1/2"	15-1/16"
Depth (with offset flue)	--	17-11/16"

\* Length of burn time and BTU range depend on type of wood, climate conditions and installation.

**Standard Features**

- EPA Certified
- Non-catalytic technology
- Single rod draft control
- Airwash system
- Brick-lined firebox
- Cast grille (HI200)
- Ceramic safety glass
- Burn time: up to 8 hrs.\*
- 6" flue

**Optional Features**

- Metallic black or timberline brown finish
- 2-speed blower
- Surrounds in two sizes (HI300)
- Cast grille (HI300)
- Standard or 4-1/2" offset flue adaptor (HI200)
- Stainless steel liner kit





# Hampton® Wood Stoves

## H200 & H300



Hampton H300 large wood stove shown with optional side shelves in enamel timberline brown finish.

### Comfort and Convenience

Convenient and efficient, these wood stoves will keep your home comfortable all year – even during power outages. Add a two speed blower to circulate even more heat to every part of your room. All Hampton wood products are certified by the Environmental Protection Agency (EPA) and meet or exceed the strictest of clean air standards. Available in two sizes including a hearth mount version, Hampton wood stoves work hard and look great!



Hampton H200 medium wood stove in charcoal gray finish.



H300 shown in charcoal gray finish.



H200 shown with side shelves in timberline brown finish.



H200 shown with short cast legs in timberline brown finish.

Specifications	H300	H200
Maximum BTU	45,500	38,800
Optimum efficiency	83.6%	83.9%
Emissions (grams/h)	4.2	3.9
Firebox size	1.71 cu. ft.	1.34 cu. ft.
Maximum log size	18"	16"
Burn time (typical)	up to 8 hrs.	up to 6 hrs.

\* Length of burn time and BTU range depend on type of wood, climate conditions and installation.

#### Standard Features

- EPA Certified
- Non-catalytic technology
- Airwash system
- Single rod draft control
- Front and side door loading (H300)
- Cast iron cooktop surface (H300)
- Brick-lined firebox
- Cast grille
- Ceramic safety glass
- Top or rear vent
- 6" flue
- Ash drawer (H300 only)

#### Optional Features

- Charcoal gray or enamel timberline brown finish
- Matching side shelves
- Short cast legs
- Two speed blower
- Outside air adaptor
- Ash drawer (H200 - use with standard legs only)



# Hampton® Pellet Insert & Stove GCI60 & GC60



Hampton GCI60 pellet insert in metallic black finish with optional ceramic log set.

The latest additions to the Hampton Collection are the Cast Iron Biomass Pellet Stove and Insert. These two environmentally-friendly heaters combine all of the best features of traditional cast iron with the latest developments in alternative fuel technology. Both the freestanding pellet stove (GC60) and fireplace insert (GCI60) can burn wood pellets, corn, wheat & barley at maximum efficiencies for very cost effective home heating. The Hampton Pellet Stove and Insert are designed to meet the strictest clean air standards while requiring little maintenance.

 See it burn  
regency-fire.com







Hampton GC60 pellet stove in charcoal gray finish with optional ceramic log set.

Specifications	GC160	GC60
BTU input (on high)*	55,000	55,000
BTU input (on low)*	10,000	10,000
Optimum efficiency	83.5%	76.6%
Emissions (grams/h)	1.0 g/hr	2.0 g/hr
Fuel capacity (hopper size)	60 lbs.	60 lbs.
Burn time (typical)	up to 36 hrs.	up to 36 hrs.
Room Size / Area Heated**	up to 2500 sq. ft.	up to 2500 sq. ft.
Weight	495 lbs.	500 lbs.
Max. Power usage (ignitor on)	600 Watt	600 Watt
Operating Power usage	200 Watt	200 Watt
Vent Size	4"	4"
Viewing Area	232 sq. in	232 sq. in
Min. Fireplace Opening	GC160	
Width (front)	27"	--
Height	23"	--
Depth	16-1/2"	--

\* Figure will vary considerably with individual conditions and fuel quality.  
 \*\* Figure will vary considerably with floor plan, house layout / heat loss of the house and quality of pellets used.  
 Due to on-going product development, product appearances and specifications are subject to change without notice. These units must be installed by a qualified dealer. Hampton pellet stove/insert have been approved for mobile home installations once certain criteria are met.

#### Standard Features

- Biomass pellet stove/insert includes the ability to burn a variety of pellet fuels - high grade to low grade wood pellets, corn, wheat & barley
- Durable cast iron exterior provides both beauty and radiant heat
- Most impressive pellet flame in the industry
- EPA Certified
- Low maintenance burner with agitator rod in the burn pot
- Reduced cleaning intervals compared to other pellet stoves
- Quick start automatic (400 watt) ignitor with air pump
- Quietest pellet stove in the industry (40-45 dB at 10 ft. away)
- Decorative and durable fluted cast iron firebox liner (GC60 only)
- Standard wall thermostat
- Concealed, easy-to-use controls with Tri-mode operating system (Manual - Hi/Lo - Auto/Off)
- Advanced Air Wash System for cleaner glass
- Mobile Home Approved

#### Optional Features

- Digital Wall Thermostat or Remote Control
- Ceramic One Piece Log Set

# Hampton® Gas Stoves

H15, H27, H35



Hampton H35 large gas stove in midnight blue finish with double screen doors.

## Outstanding Fire

Hampton's beautiful styling is matched by its unsurpassed fire and log package. Convenient gas flames have been carefully engineered to twist and flicker in yellows and reds around the most realistic logs available anywhere today. In addition – this fire is designed to deliver controllable high efficiency heat with the added option of a wall thermostat or FireGenie Remote Control. Available in 3 sizes, these gas stoves will heat your home while saving money on your heating bill.

 See it burn  
[regency-fire.com](http://regency-fire.com)





Hampton H27 medium gas stove in enamel timberline brown finish with decorative glass grill.



H27 in seaside sand finish with decorative glass grill



H27 in charcoal gray finish with decorative glass grill



H15 in enamel timberline brown finish with decorative glass grill

Specifications	H35	H27	H15
Natural Gas	Large	Medium	Small
Maximum BTU	36,000	25,000	18,000
Turn down to (BTU)	18,000	12,500	10,500
EnerGuide rating (Canada only)	68.34%	61.15%	62.31%
Efficiency	85%	85%	82%
Propane			
Maximum BTU	34,000	23,000	18,000
Turn down to (BTU)	17,500	11,500	10,600
EnerGuide rating (Canada only)	69.72%	61.63%	62.31%
Efficiency	85%	85%	82%

**Standard Features**

- Natural Gas
- Flame height adjustment with up to 50% turndown
- Heavy-duty ceramic safety glass
- Top mounted easy access controls
- Reversible flue for top or rear venting
- Decorative glass grill (H15 & H27)
- Double screen doors (H35)

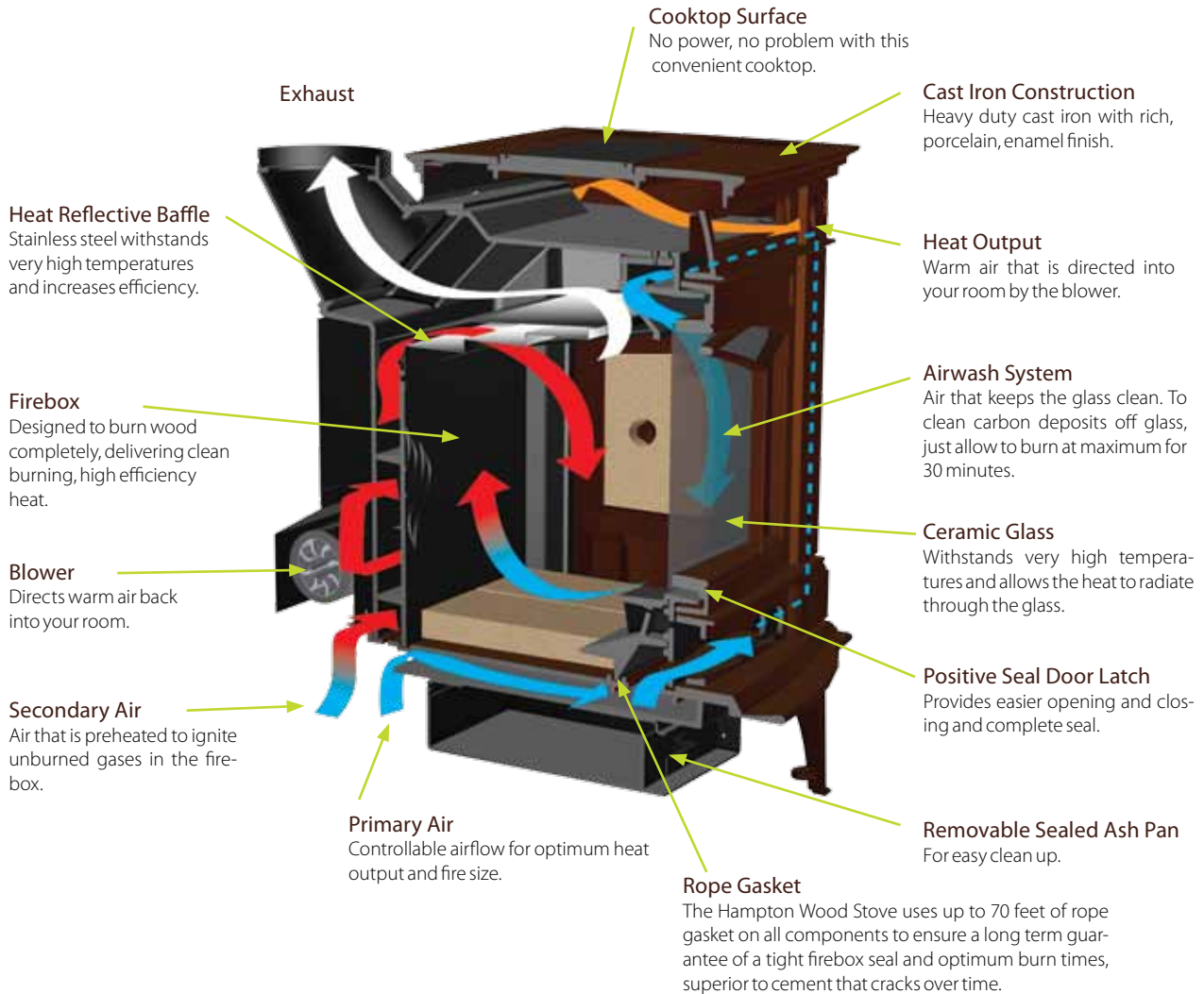
**Optional Features**

- Charcoal gray, enamel midnight blue (H35 only) , seaside sand or timberline brown finish
- Brick panels in red or brown (H35 only)
- Variable speed blower
- FireGenie® remote control
- Wall thermostat
- AstroCap™ vent system
- Color match vent paint
- Propane conversion kit
- BTU reduction kit (H35 only)



## Non-catalytic Technology

Hampton wood stoves use non-catalytic technology. This means that the airflow in the firebox is directed to reburn smoke, creating greater efficiency, a spectacular fire and cleaner emissions.



## burning wood - a green choice

### Renewable Resource

Wood is a renewable natural resource - well-managed forests are a renewable, sustainable source of energy that helps us reduce greenhouse gas emissions and be less dependent on oil & gas.

### Wood is Carbon Neutral

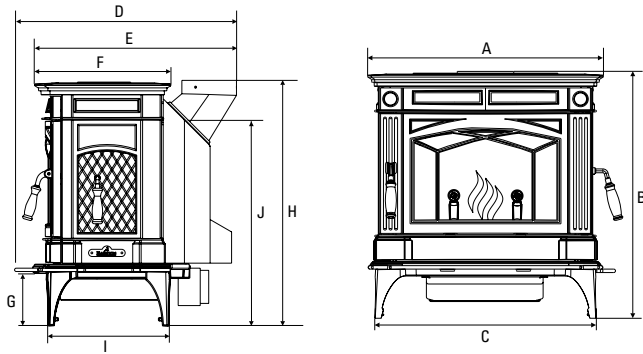
As trees grow they absorb carbon dioxide from the atmosphere. When trees die and are left to decompose in the forest or burn in forest fires the carbon stored in the trees is released in the atmosphere as carbon dioxide.

Burning firewood produces the same amount of carbon dioxide as the tree has absorbed during its life cycle - making wood burning carbon neutral.

All Hampton Wood Stoves and Fireplace Inserts have been tested and certified to the strictest clean air standards as set by the Environmental Protection Agency.



# wood stoves

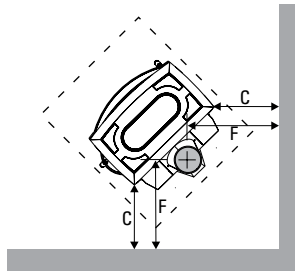
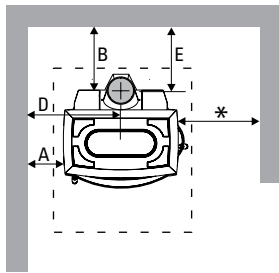


Dimensions	H200	H300
A	23-7/8"	27"
B	27-5/8"	29-3/4"
B (short legs)	22-5/8"	24-3/8"
C	22-1/8"	25-1/2"
D	25-1/8"	26"
E	21"	24"
F	16"	16-1/8"
G	7-1/8"	7-1/8"
H	28-3/4"	30-1/4"
H (short legs)	23-3/4"	24-3/4"
I	15"	15"
J*	25-7/8"	27-1/4"
J* (short legs)	21"	22-1/8"

\* to center line if rear vented.

Specifications	H200	H300
EPA Certified	Yes	Yes
Optimum Efficiency	83.9%	83.6%
Emissions (grams/hr)	3.9	4.2
Maximum BTU*	38,800	45,500
Typical Sq. Ft. Heated	400-1,000	800-2,000
Maximum Log Size	16"	18"
Firebox Size	1.34 cu. ft.	1.71 cu. ft.
Flue size	6"	6"
Burn time (typical)*	up to 6 hrs	up to 8 hrs.
Shipping Weight	417 lb	474 lb

\* Length of burn time and BTU range depend on type of wood, climate conditions and installation.

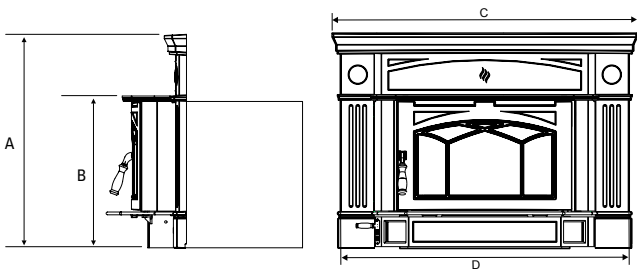


Minimum Clearance To Combustibles		A	B	C	D	E	F
H300	Residential Installation "C" Vent	17"	15"	13"	30"	15"	19"
	Residential Close Clearance	15"	10"	9"	28"	10"	15"
	Mobile Home Close Clearance	15"	10"	9"	28"	10"	15"
H200	Residential Installation "C" Vent	17"	15"	13"	29"	17-1/8"	19-7/8"
	Residential Close Clearance	15"	10"	9"	27"	12-1/8"	15-7/8"
	Mobile Home Close Clearance	15"	10"	9"	27"	12-1/8"	15-7/8"

Note: In Canada floor protection must extend 18" to the front and 8" to the sides and back. With side load door floor protection must extend 18" to the side. In US same as above except floor protection extends 6" to sides and back.

\*Minimum clearance with side load door is 18" to side wall. Refer to dimension (B) for clearance without side load door.

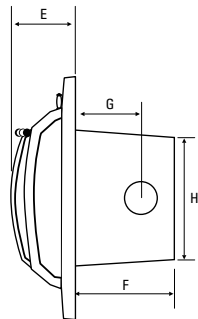
# wood inserts



Dimensions	HI200	HI300	HI300 oversize
A	27-1/4"	30"	34-9/16"
B	--	21-1/2"	21-1/2"
C	39-13/16"	42-1/2"	51-3/4"
D	38-5/16"	40"	48-1/8"
E	6-3/8"	11-3/8"	11-3/8"
F	15-1/16"	17-1/4"	17-1/4"
G	9-5/8"	11-1/8"	11-1/8"
G (offset adaptor)	14-1/8"	--	--
H	21-1/4"	23-1/4"	23-1/4"

Specifications	HI200	HI300
EPA Certified	Yes	Yes
Optimum Efficiency	77.7%	77.0%
Emissions (grams/hour)	3.0	3.44
Maximum BTU*	55,000	75,000
Typical Sq. Ft. Heated	600-1,000	1,000-2,000
Maximum Log Size	18"	18"
Firebox Size	1.4 cu.ft.	2.3 cu.ft.
Flue size	6"	6"
Burn time (typical)*	up to 8 hrs.	up to 8 hrs.
Shipping Weight	258 lb.	437 lb.

\* Length of burn time and BTU range depend on type of wood, climate conditions and installation.



Minimum Fireplace Opening	HI200	HI300
Width (front)	23"	25"
Height	19-5/8"	21-1/2"
Depth (w/ standard flue adaptor) (w/ offset flue adaptor)	15-1/16" 17-11/16"	17-1/2"

## Masonry & Factory Built Fireplace Clearances

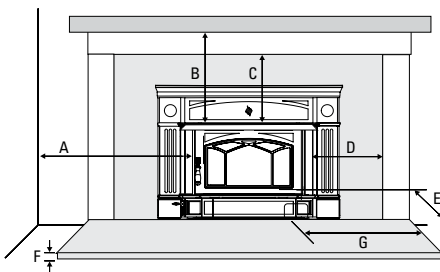
The minimum required clearances to combustible materials when installed into a masonry fireplace are:

	Adjacent Side Wall (to side)	Mantel (to top)	Top Facing (to top)***	Side Facing (to side)***	Min. Hearth Extension*	Min. Hearth Elevation*	Min Hearth Side Extension**
	A	B	C	D	E	F	G
HI200	15"	20"	14"	7-3/8"	18" CA/16" US	1-1/2"	8" CA/6" US
HI300 (regular faceplate)	11"	20"	12"	8"	18" CA/16" US	1/2"	8"
HI300 (oversize faceplate)	11"	20"	14"	11"	18" CA/16" US	1/2"	8"

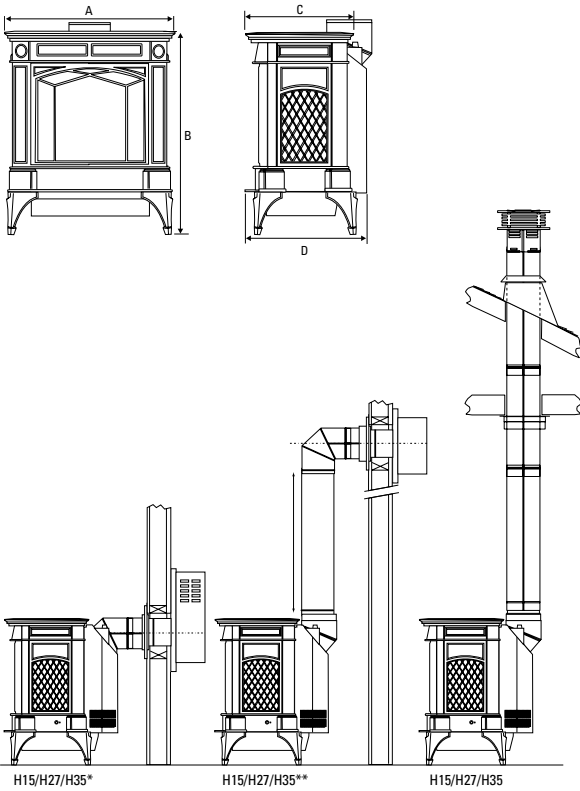
\* Note: If the hearth extension is flush with the floor (item F) it must extend 19.5 in. in front of the body face (item E).

\*\* Note: Hearth extension width (G) is measured from edge of fuel door to side of hearth.

\*\*\* up to 1-1/2" thick



## gas stoves



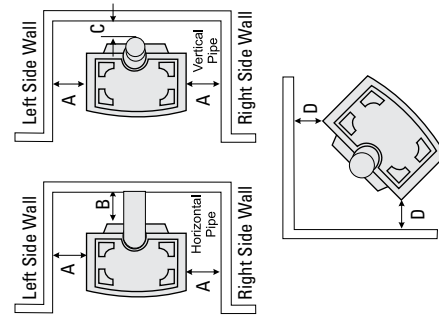
\* The H15 can be vented horizontally with the AstroCap™ system. For rear vent applications, H27 requires a riser vent; H35 requires a riser vent and BTU reduction kit.  
 \*\* H35 requires minimum 1ft. rise.

Dimensions	H15	H27	H35
A	20-11/16"	24-9/16"	27"
B	22-1/2"	27"	28"
C	14-1/4"	14-1/4"	19-3/4"
D	16-3/16"	16-7/16"	21"
Shipping Weight	182 lbs.	196 lbs.	308 lbs.

Specifications	H15		H27		H35	
	NG	LP	NG	LP	NG	LP
Maximum BTU	18,000	18,000	25,000	23,000	36,000	34,000
Turn down to (BTU)	10,500	10,600	12,500	11,500	18,000	17,500
EnerGuide rating (Canada only)	62.31%	62.31%	61.15%	61.63%	68.34%	69.72%
Efficiency	82%	82%	85%	85%	85%	85%

Clearances To Combustibles	H15	H27	H35
A Side Wall To Unit	6"	6"	6-1/2"
B Back Wall To Unit	0"	3"	6"
C Vertical Vent to Back Wall	2"	2"	2"
D Side Wall To Unit (Corner)	2"	2"	2"

Minimum clearance of vent terminal to outside corner and inside corner: AstroCap™ 6", Dura-Vent Cap 12"



## accessories

### FireGenie® Remote Control

Turn your Hampton on and off from the comfort of your sofa with the easy-to-use FireGenie.

### Programmable Thermostat

Set a specific temperature with a Hampton wall thermostat and maintain a constant comfort level in your home.



FireGenie Remote Control

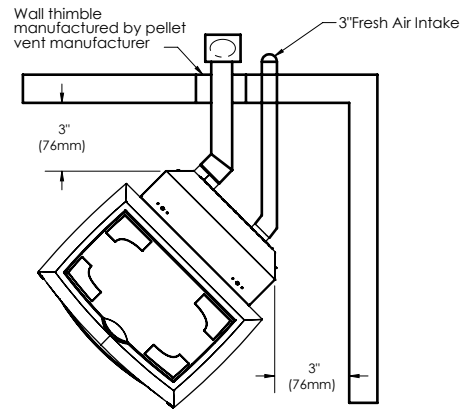
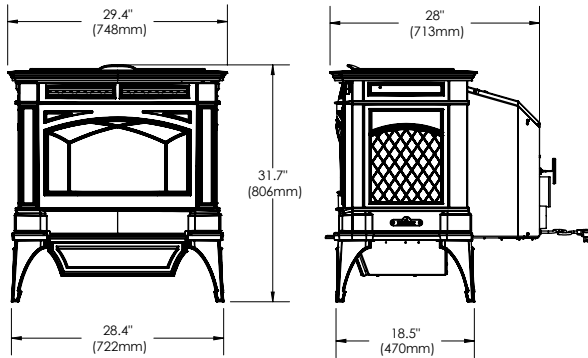
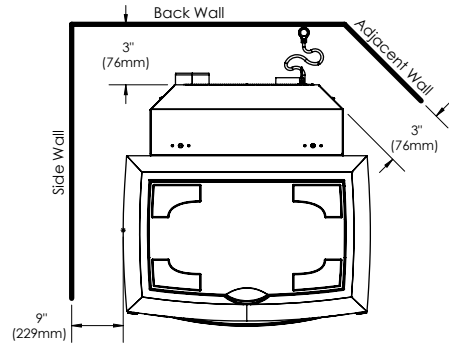
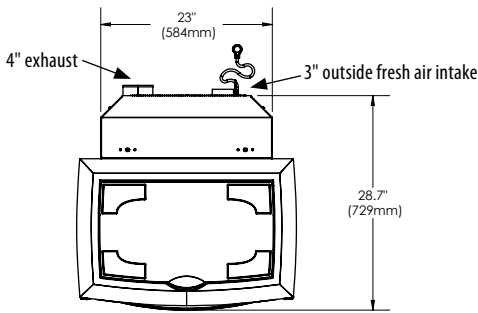


Thermostat

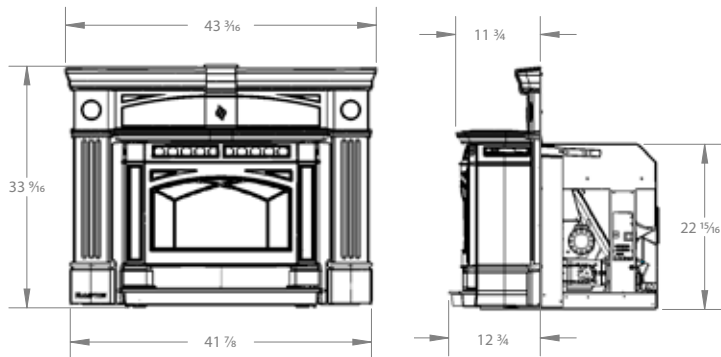
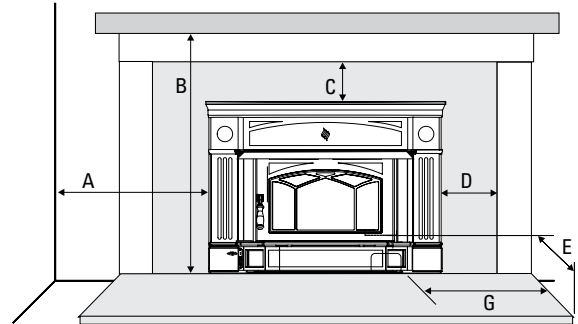
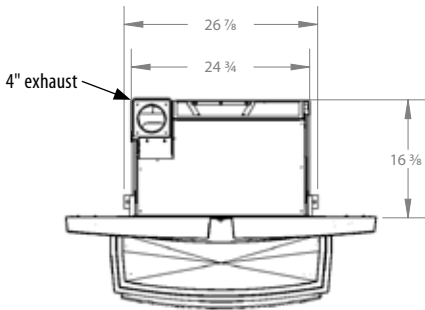




## pellet stove (GC60)



## pellet insert (GC160)



### Masonry & Factory Built Fireplace Clearances

The minimum required clearances to combustibles when installed into a masonry fireplace are:

A	Adjacent Side Wall (from center)	24"
B	Mantel (12") (bottom unit)	33"
C	Top Facing (top faceplate)	0
D	Side Facing (3/4") (to side faceplate)	0
E	Min. Hearth Extension (from door opening)	6"
F	Adjacent Side Wall (side faceplate)	2"
G	Min Hearth Side Extension (from side of unit)	6"



# design your own fireplace

Your Hampton® matches your home and lifestyle perfectly. How do we know that? Because you designed it yourself!

Visit [www.hampton-fire.com](http://www.hampton-fire.com) today and surf through our selection of products and accessories to design your own fireplace. The endless options are just a click away! Change the style until you have your perfect fireplace... then ask your friends and family for their opinion!

Click on Fireplace Design Centre at [www.hampton-fire.com](http://www.hampton-fire.com) and then visit your authorized local dealer to design your own fireplace.

## fireplace selection worksheet

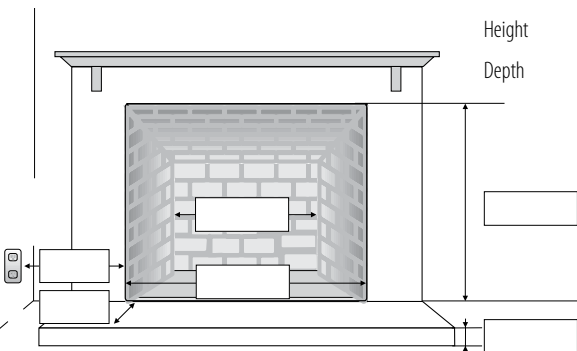
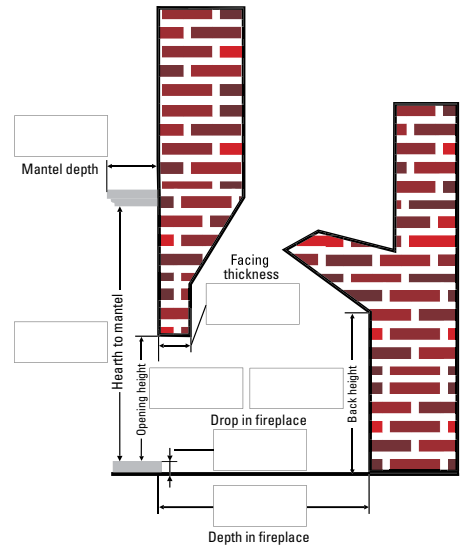
We want you to enjoy your beautiful Hampton fireplace for years to come. To help you figure out which product is just right for your home, fill in the following worksheet. Once complete, visit your nearest Hampton dealer. Your professional dealer will assess your needs - including local building codes - and install your Hampton.

### 1. BASIC PRODUCT FUNCTION QUESTIONS

- |  |   |   |
|--|---|---|
| a. I would like my insert to provide me with:      | <input type="checkbox"/> Supplemental heating | <input type="checkbox"/> Priority heating |
| b. The room/rooms I would like to heat are:        | _____ Square feet                             |   |
| c. My fuel source will be:                         | <input type="checkbox"/> Natural gas          | <input type="checkbox"/> Propane          |
| Has gas been piped to the proposed fireplace area? | <input type="checkbox"/> Yes                  | <input type="checkbox"/> No               |

### 2. FIREPLACE PRODUCT TYPE AND MEASUREMENTS

- a. I am:
- Installing a new fireplace
  - Installing into an existing fireplace
- b. Fill in the following measurements:
- Ceiling Height: \_\_\_\_\_
- Location in the room: \_\_\_\_\_
- Flooring material: \_\_\_\_\_
- Wall material: \_\_\_\_\_
- Ceiling material: \_\_\_\_\_
- c. What is the:
- Width (front) \_\_\_\_\_
- Width (back) \_\_\_\_\_
- Height \_\_\_\_\_
- Depth \_\_\_\_\_
- d. Fireplace opening dimensions



[www.hampton-fire.com](http://www.hampton-fire.com)

your hampton dealer